

750 Heavy Duty Draw Latch

Features

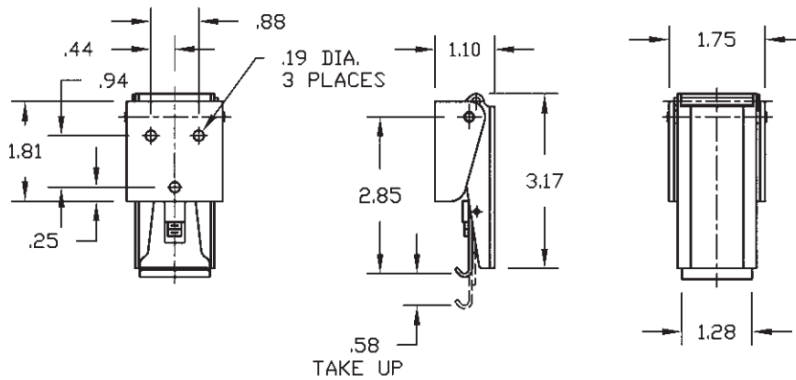
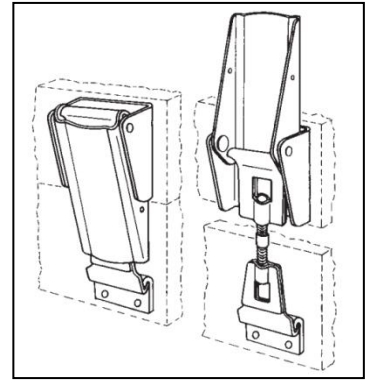
- Stamped steel or stainless steel draw latch, up to 550 lbs load rating
- Ideal for use on heavy gasketed lids
- 1/2" adjustment allows for variations in alignment
- 1/2" take-up capability
- Slim profile
- Provision for use of a lockwire to prevent inadvertent opening or tampering

Material

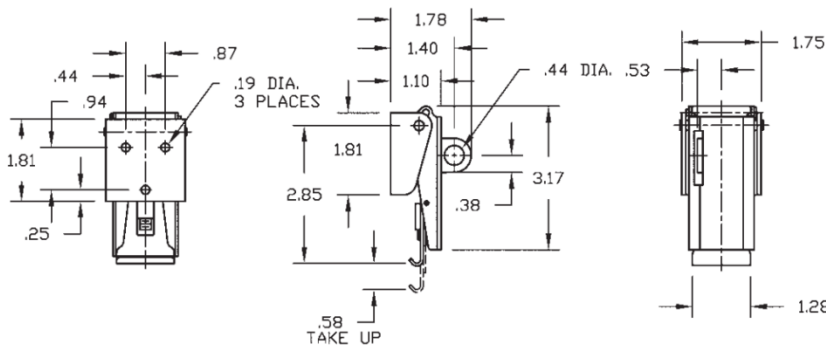
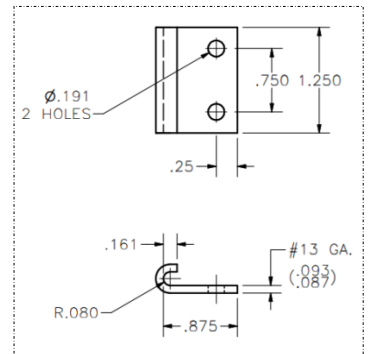
- Carbon steel, zinc plated or stainless steel, plain finish

Notes

- Keepers sold separately



Part No.	Description	Material	Load Capacity
750	Standard over centre draw latch	Carbon steel, zinc plated	300 lbs
750-SS		Stainless steel	550 lbs



Keeper	Material
750-10	Carbon steel, zinc plated
750-SS10	Stainless steel

Part No.	Description	Material	Load Capacity
2-750-P	Padlockable over centre draw latch	Carbon steel, zinc plated	300 lbs
2-750-SSP		Stainless steel	550 lbs

Dimensions in inches